

| OPERATION WITH CONNECTED ACCUMULATION MASS - ACCUMULATION PERIOD 12 H | |
|---|-----------------------|
| Tested according to | EN 13229 |
| Efficiency | > 80 % |
| Load of wood (minimum / average / maximum) | 7 / 10 / 14 kg |
| Heat power (with accumulation period 12 h and load of wood Ø 10kg) | 3,0 kW |
| Total heat output of the burning chamber (load of wood Ø 10kg) | 36,3 kW |
| Mass flow of flue gas (load of wood Ø 10kg) | 30,4 g/s |
| Average flue gas temperature | |
| on the output ¹⁾ | 635 °C |
| past 5 m of ceramic accumulation system ²⁾ | 203 °C |
| Heat distribution | |
| mass storage heater | 30 % |
| door glass (single / double) | - / 20 % |
| adjoining accumulation mass | 50 % |
| Required chimney pressure ³⁾ | 12 Pa |
| Required amount of combustion air | 125 m ³ /h |

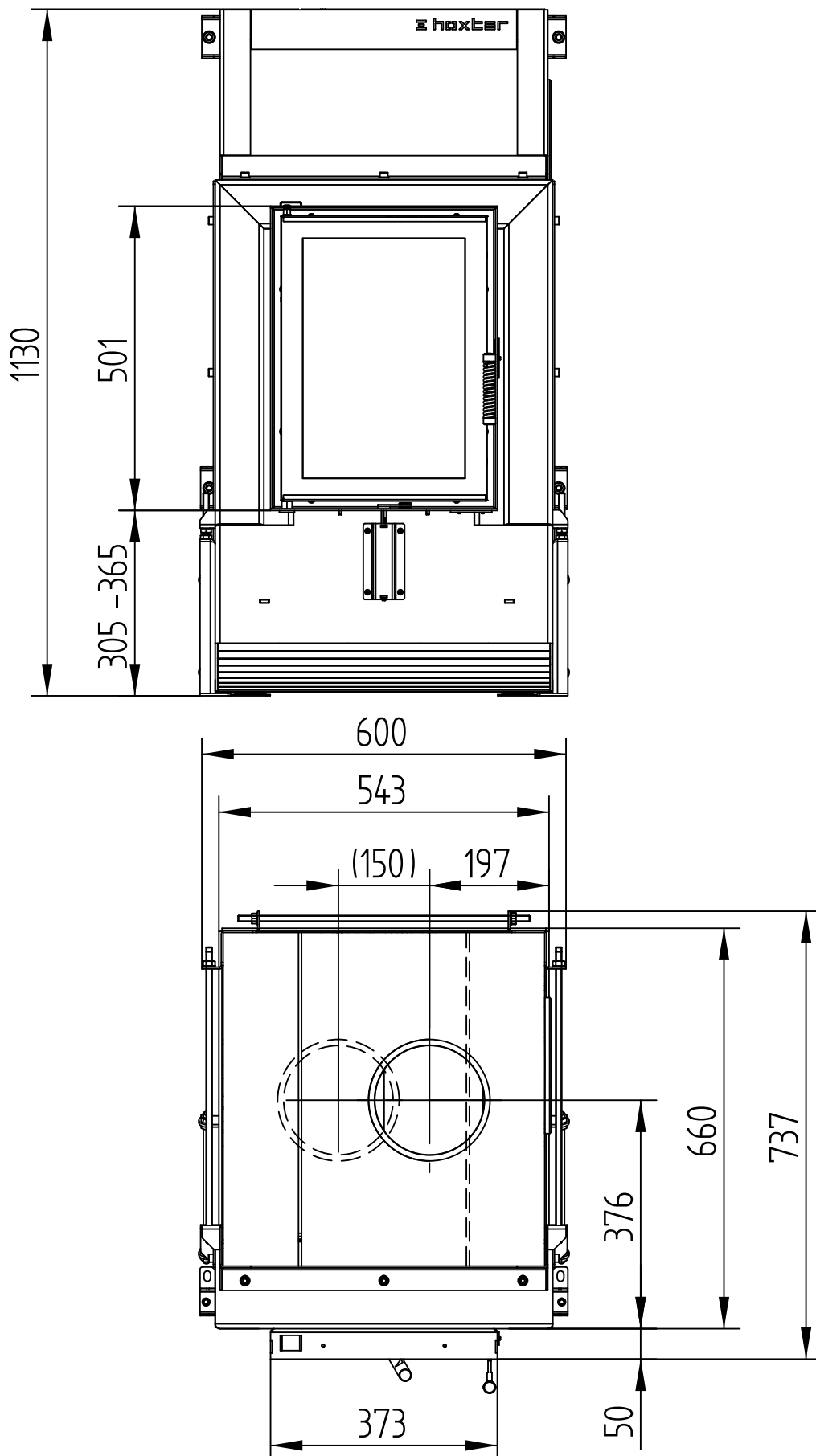
| GENERAL TECHNICAL INFORMATION | |
|--|---------------------------|
| Combustion air connection | 2 x Ø 125 mm |
| Total weight / heater accumulation mass weight | ca. 464 / 371 kg |
| Use in non-ventilated accumulation builds according to craft rules | suitable |
| Meets values | BlmSchV (Stufe2), 15a BVG |

- 1) The Hoxter products are available in the Austrian stove-calculation program for evaluation of firebrick accumulation systems.
- 2) Reference value - for accurate results is evaluation of every system in a calculation program necessary.
- 3) For SF without adjoining accumulation mass.

SF 31.40 - 37/50

Technical data
Version 01/2018

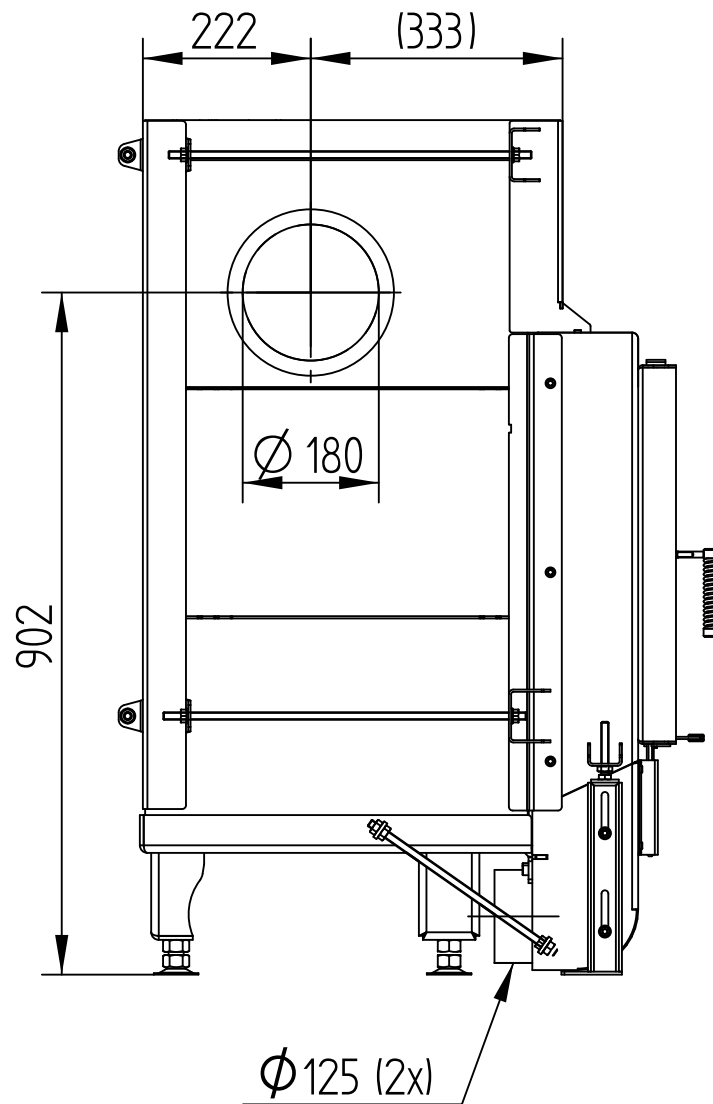
M 1 : 10



SF 31.40 - 37/50

Technical data
Version 01/2018

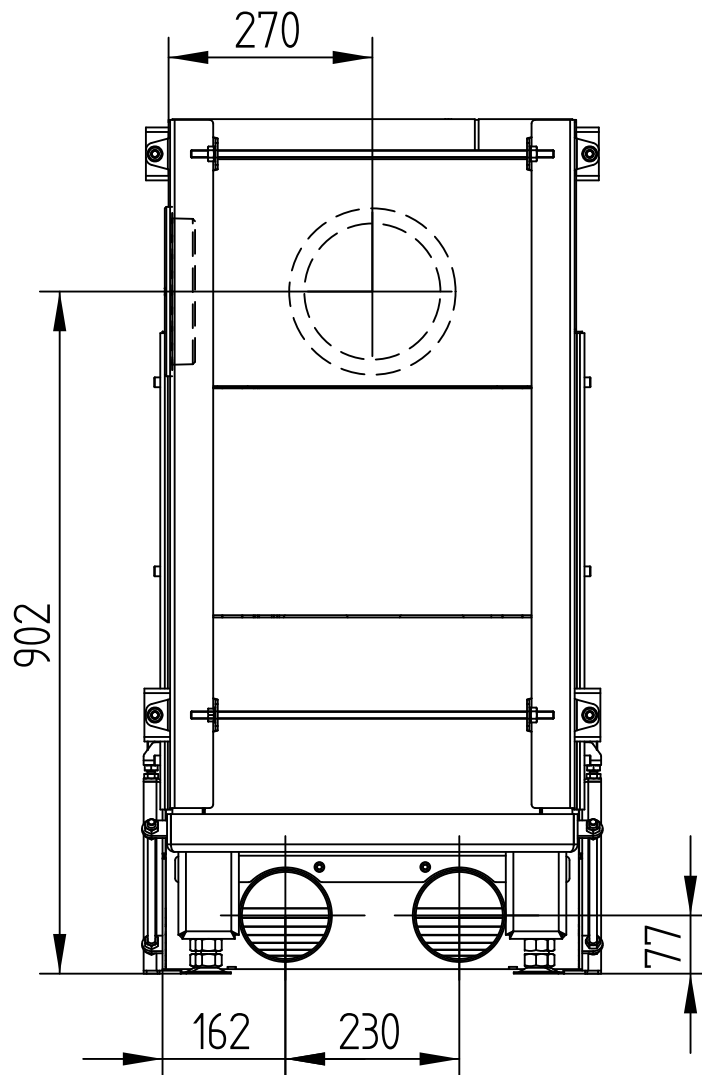
M 1 : 10



SF 31.40 - 37/50

Technical data
Version 01/2018

M 1 : 10

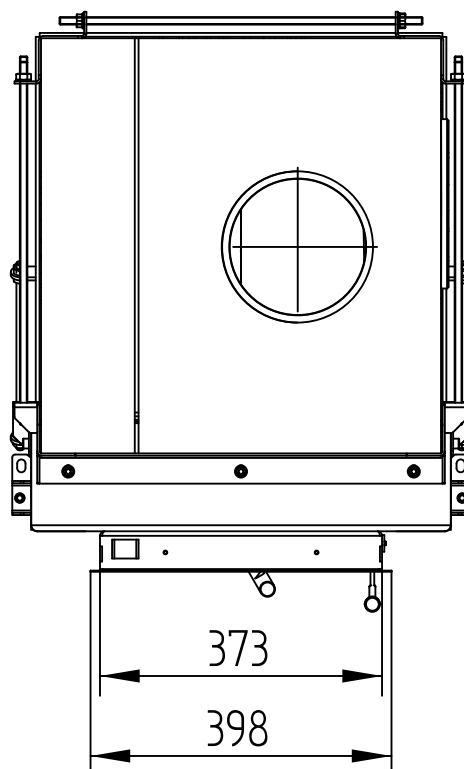
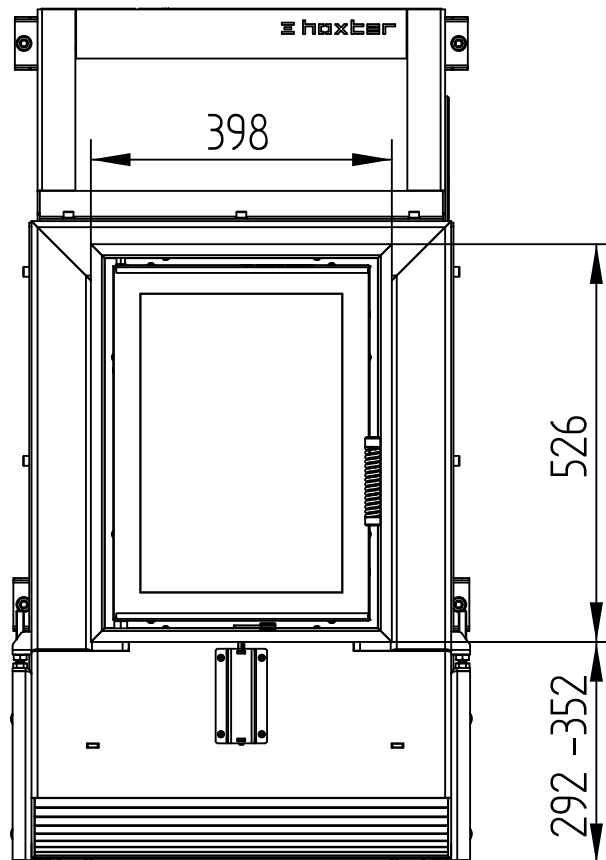


SF 31.40 - 37/50

COVER FRAME 4-SIDED 1 x 90°

Technical data
Version 01/2018

M 1 : 10

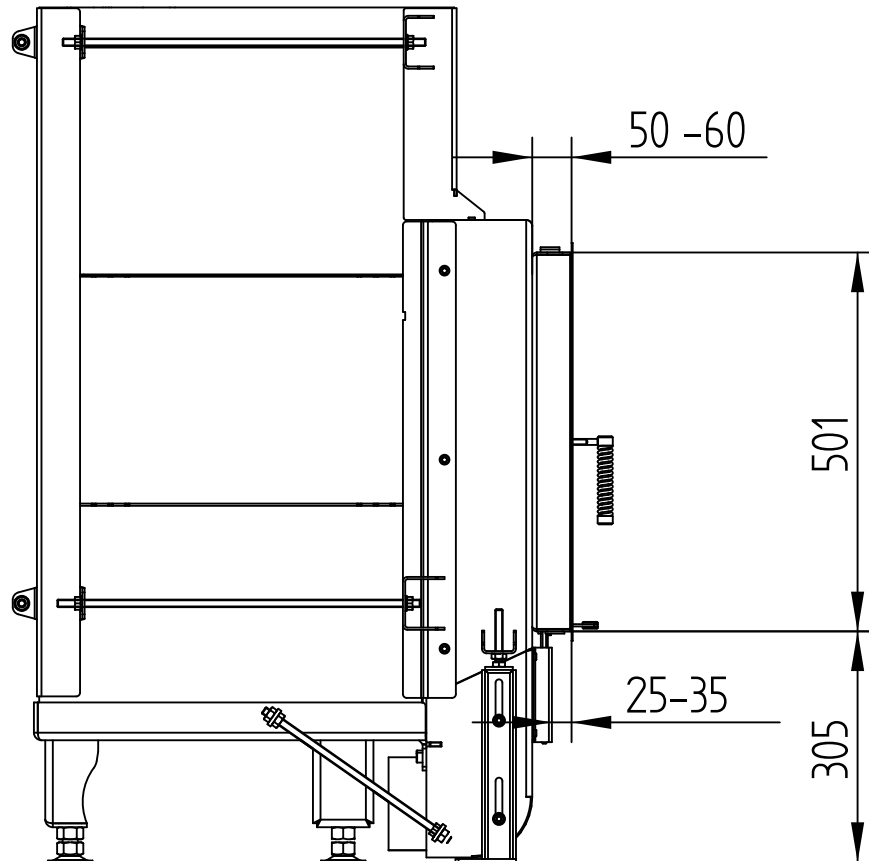


SF 31.40 - 37/50

Technical data
Version 01/2018

COVER FRAME 4-SIDED 1 x 90°

M 1 : 10

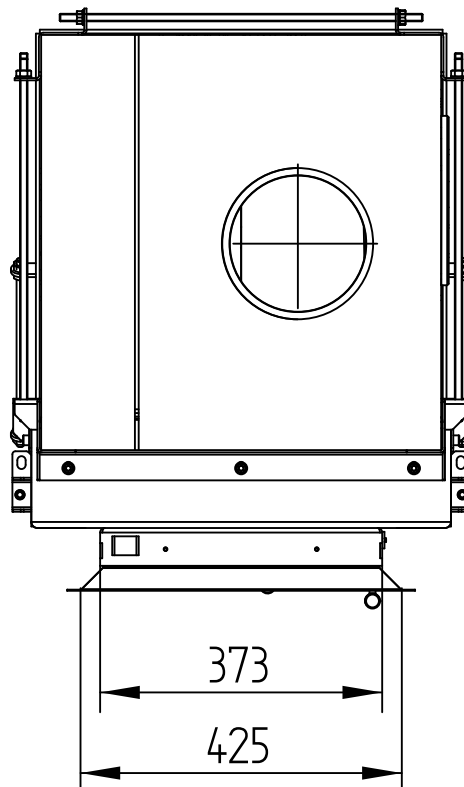
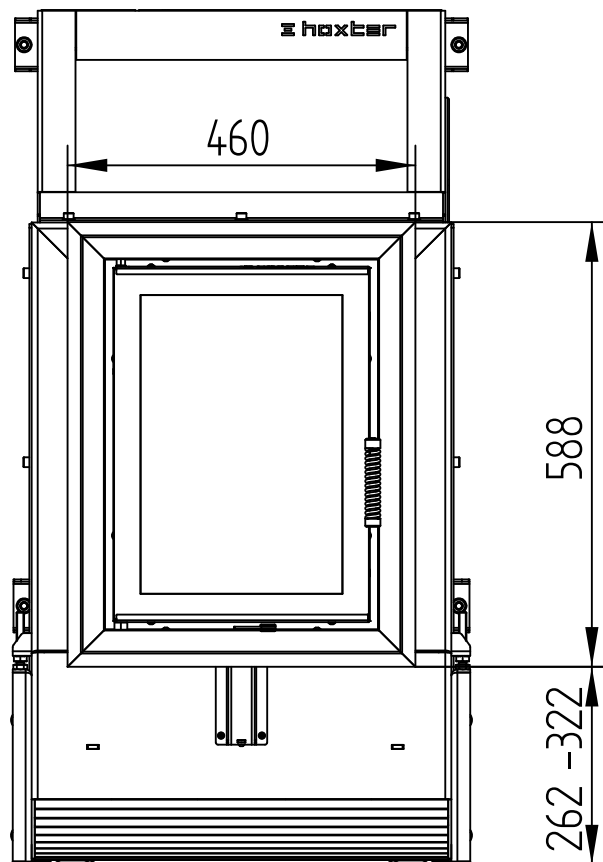


SF 31.40 - 37/50

COVER FRAME 4-SIDED 2 x 45°

Technical data
Version 01/2018

M 1 : 10



SF 31.40 - 37/50

Technical data
Version 01/2018

COVER FRAME 4-SIDED 2 x 45°

M 1 : 10

