

OPERATION WHEN DIRECTLY CONNECTED TO CHIMNEY	
Tested according to	EN 13229
Nominal heat power	11 kW
Efficiency	> 80 %
Consumption of wood	3,2 kg/h
Mass flow of flue gas	10 g/s
<b>Average flue gas temperature</b> on the output	238 °C
<b>Heat distribution</b>	
fireplace insert	55 %
door glass (single / double)	45 / - %
Required chimney pressure	12 Pa
Required amount of combustion air	25 m <sup>3</sup> /h
Minimum supply air grating cross-section	700 cm <sup>2</sup>
Minimum outgoing air grating cross-section	850 cm <sup>2</sup>

OPERATION WITH CONNECTED ACCUMULATION MASS	
Load of wood	5 kg
Total heat output of the burning chamber	20 kW
Mass flow of flue gas	12 g/s
<b>Average flue gas temperature</b> on the output <sup>1)</sup> past 2,8 m of ceramic accumulation system KMS 300 <sup>2)</sup>	344 °C 182 °C
<b>Heat distribution</b>	
fireplace insert	40 %
door glass (single / double)	45 / - %
adjoining accumulation mass	15 %
Required chimney pressure	12 Pa
Minimum radiant area <sup>3)</sup>	ca. 4 m <sup>2</sup>
Required amount of combustion air	50 m <sup>3</sup> /h

GENERAL TECHNICAL INFORMATION	
Combustion air connection	Ø 125 mm
Total weight / lining weight	ca. 300 / 78 kg
Use in non-ventilated accumulation builds according to craft rules	suitable
Meets values	BlmSchV (Stufe2), 15a BVG

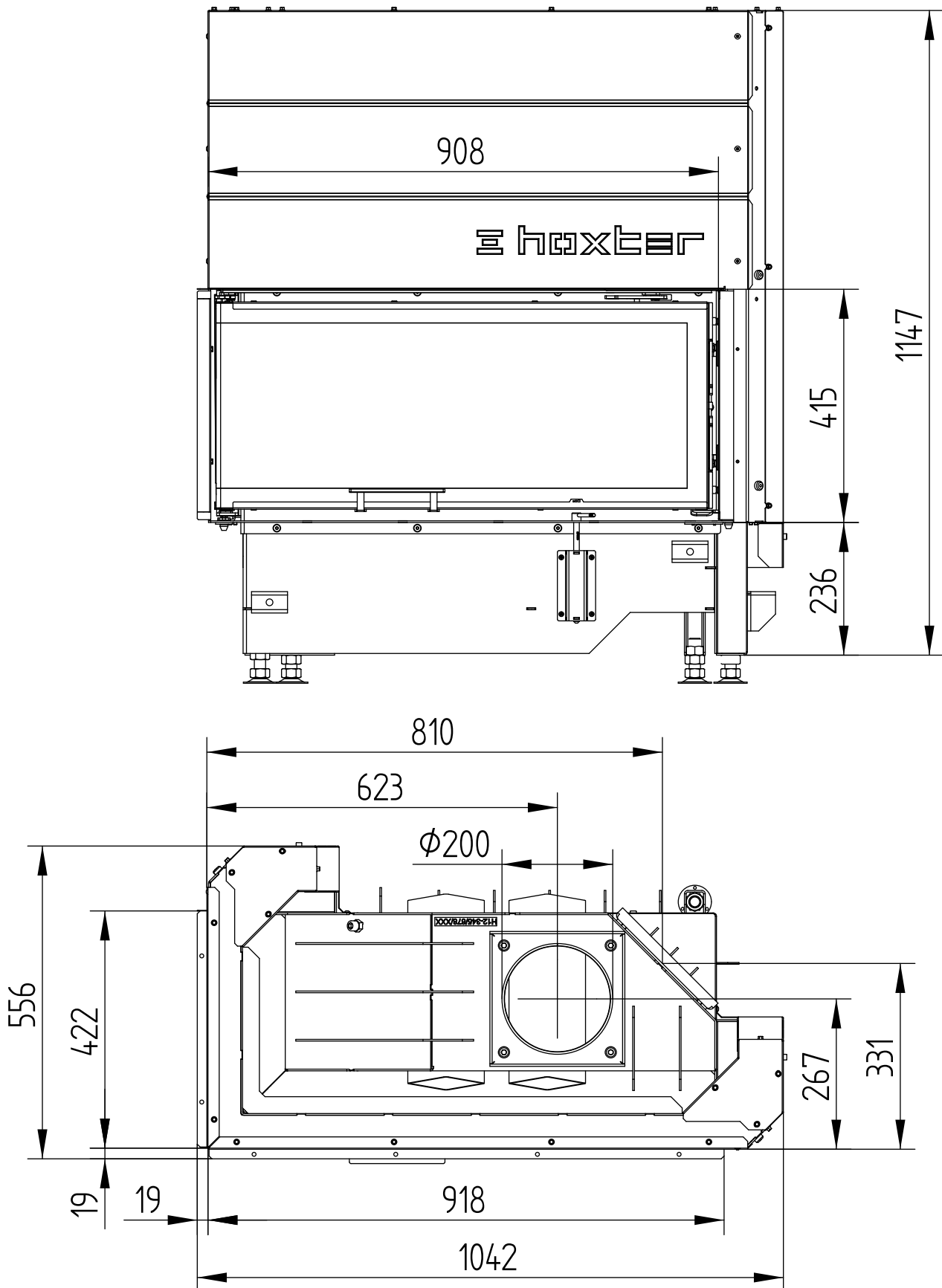
- 1) The Hoxter products are available in the Austrian stove-calculation program for evaluation of firebrick accumulation systems.
- 2) Only a sample calculation! For accurate results is evaluation of each system in the KMS-calculation program from the Ortner company necessary.
- 3) Depends on accumulation period and material characteristics and its thickness. Calculated with heat emission of the radiant area ca. 500 W/m<sup>2</sup>.hr

# ECKA 90/40/40Lh

Technical data  
Version 01/2018

ART. NR. H100072X

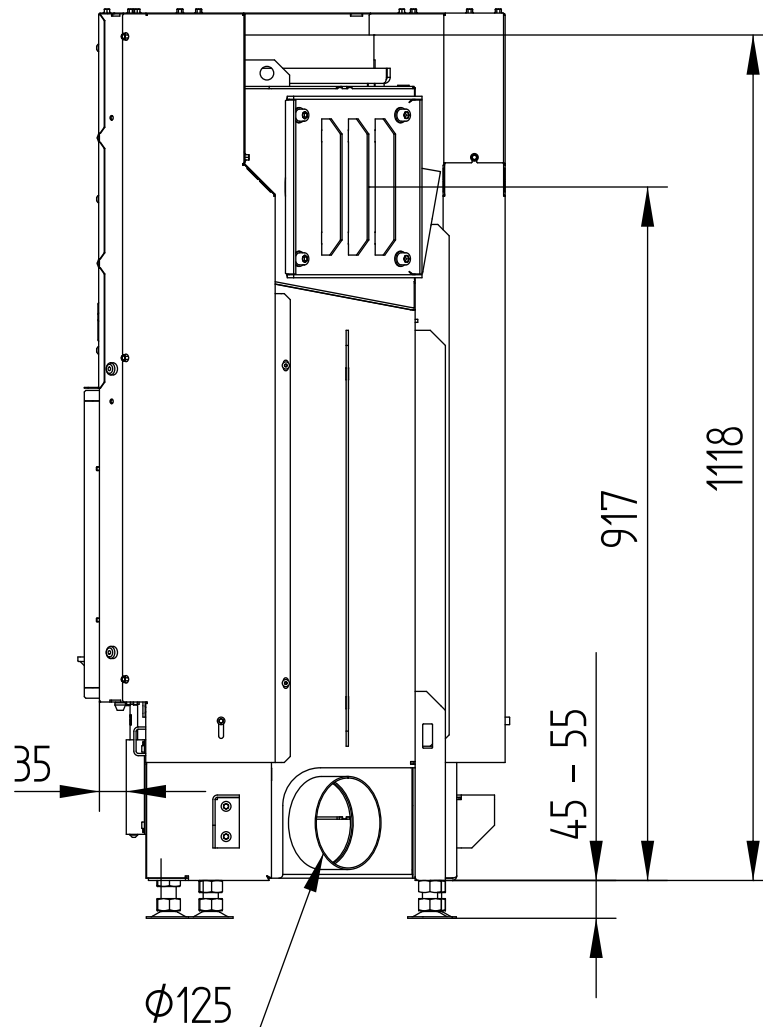
M 1 : 10 \_



# ECKA 90/40/40Lh

Technical data  
Version 01/2018

M 1 : 10

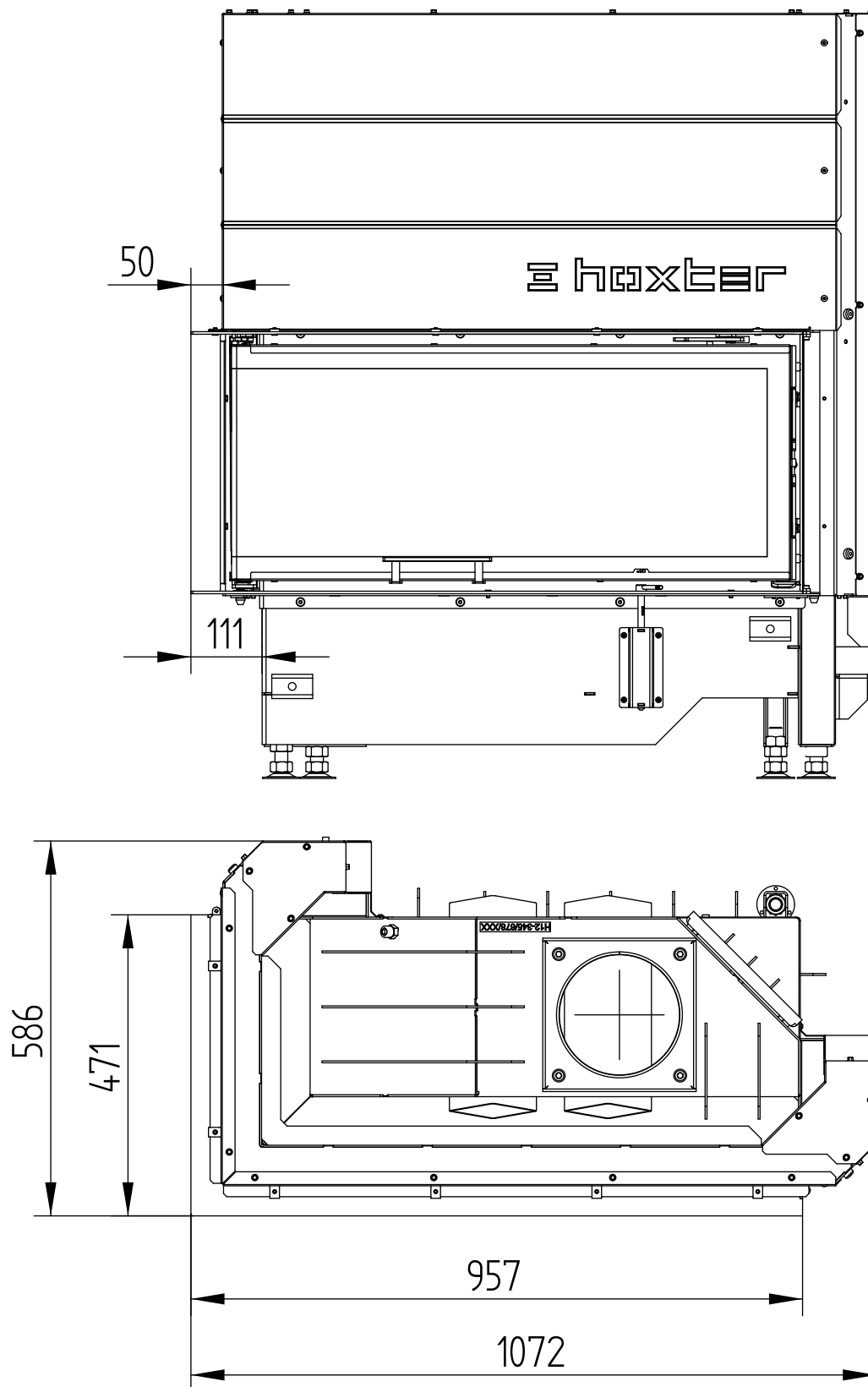


# ECKA 90/40/40Lh

Technical data  
Version 01/2018

BUILD-ON FRAME 6-SIDED, 50 mm

M 1 : 10

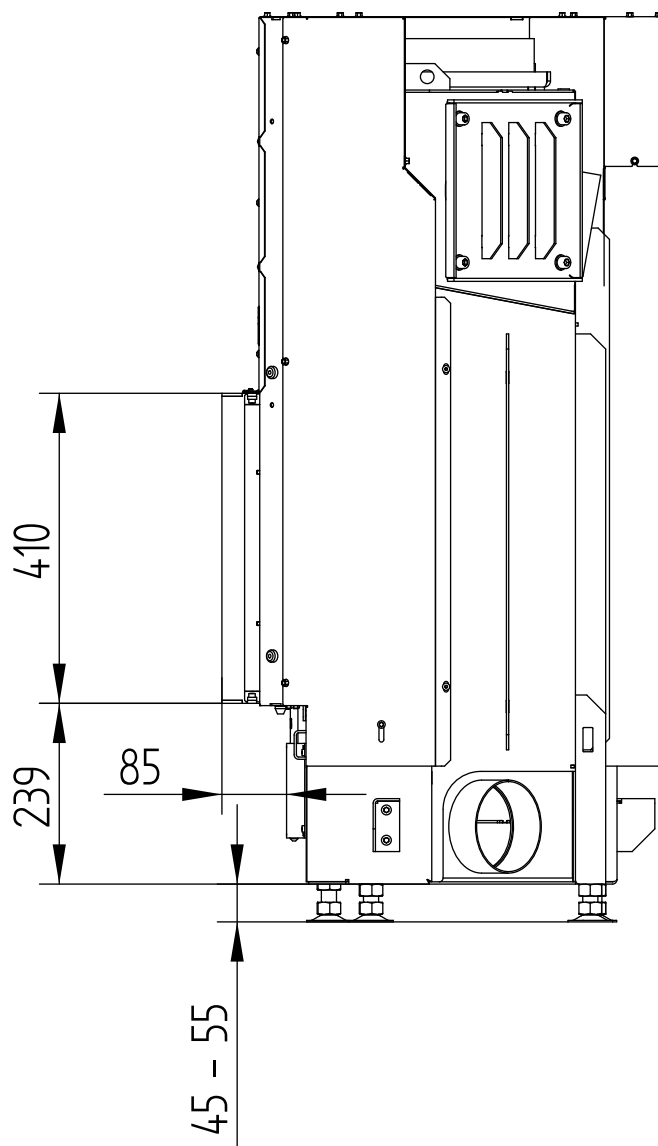


# ECKA 90/40/40Lh

BUILD-ON FRAME 6-SIDED, 50 mm

Technical data  
Version 01/2018

M 1 : 10

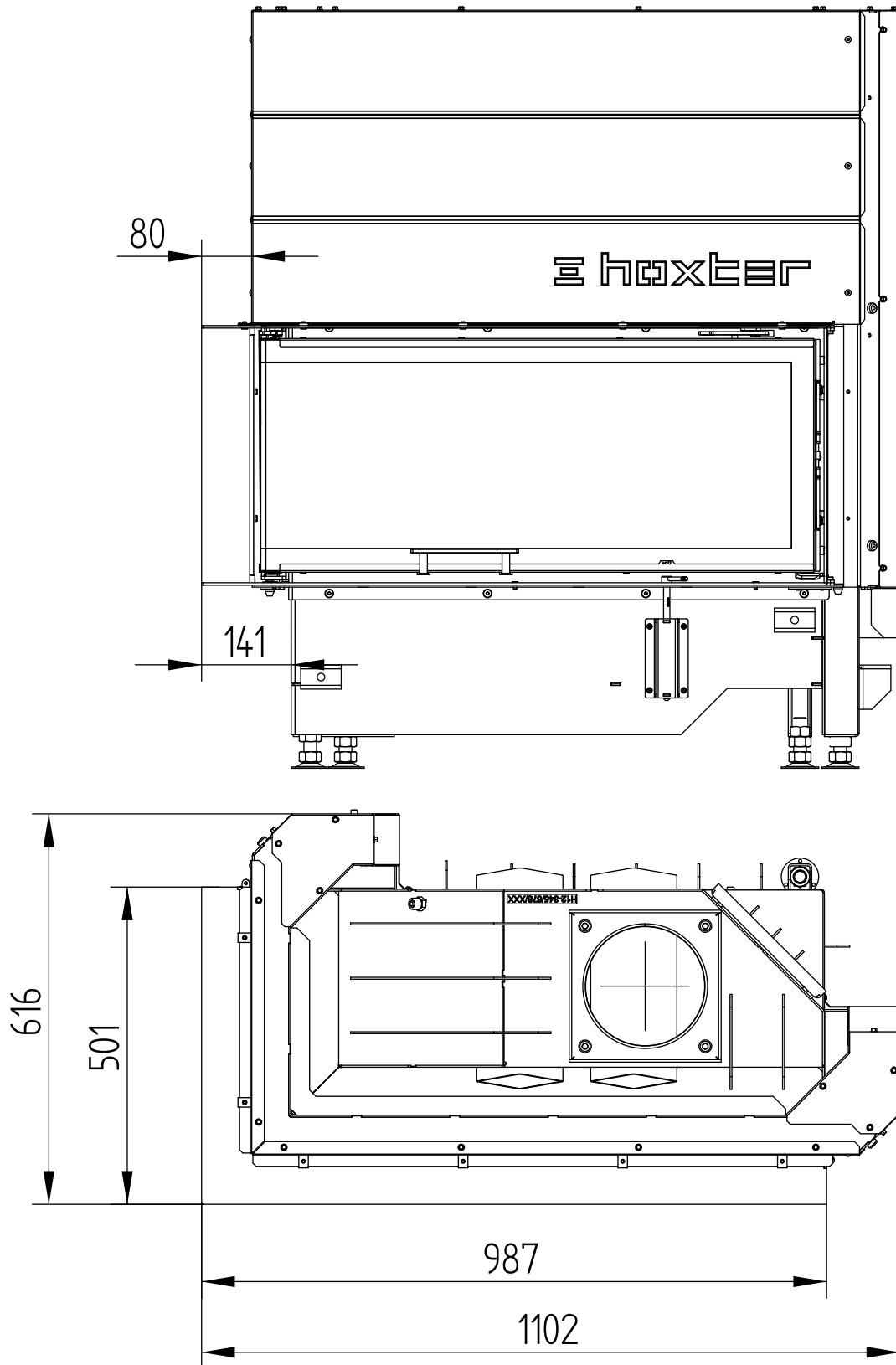


# ECKA 90/40/40Lh

Technical data  
Version 01/2018

BUILD-ON FRAME 6-SIDED, 80 mm

M 1 : 10

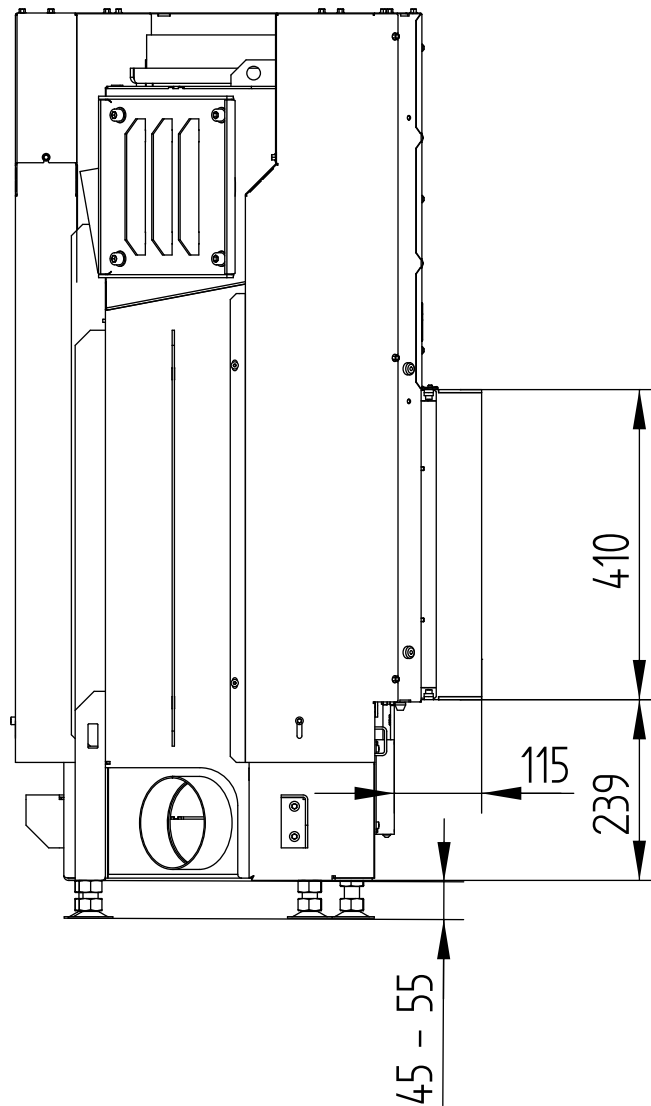


# ECKA 90/40/40Lh

BUILD-ON FRAME 6-SIDED, 80 mm

Technical data  
Version 01/2018

M 1 : 10

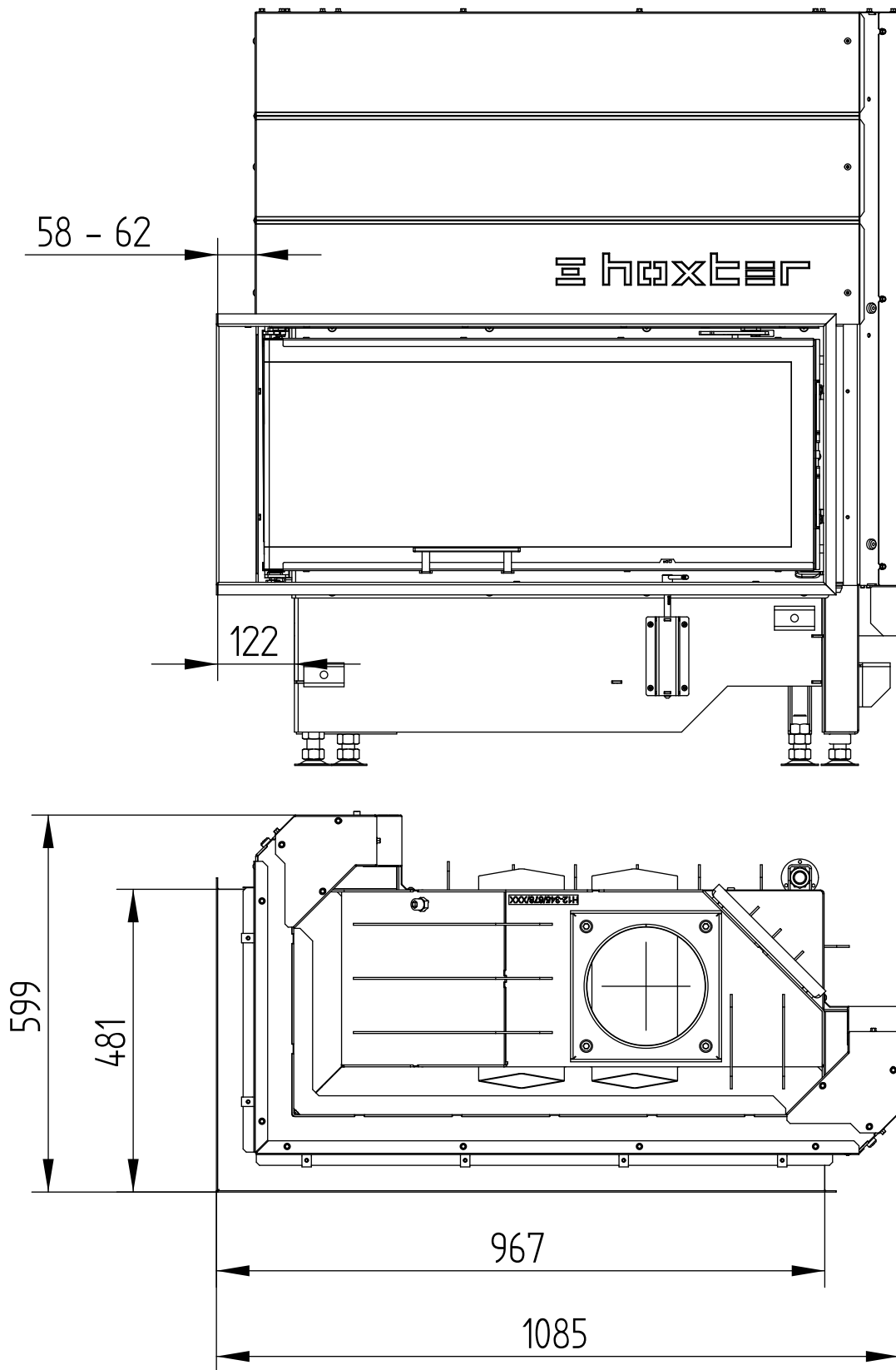


# ECKA 90/40/40Lh

Technical data  
Version 01/2018

COVER FRAME 6-SIDED, 60mm

M 1 : 10





# ECKA 90/40/40Lh

COVER FRAME 6-SIDED, 60mm

Technical data  
Version 01/2018

M 1 : 10

